



Sparkle Power Inc.

A Leading Power Supply manufacturer
Web site: www.sparklepower.com



FSP300-60THN

300 Watts ATX12V 2.0 Switching Power Supply

Features

- Complied with ATX12V 2.0 standard
- High efficiency and reliability
- Remote On/Off function
- Internal 12V DC fan included
- Noise Killer (Thermal fan speed control function)
- Low noise and ripple
- Complies with FCC part 15 subpart J Class B and CISPR 22 Class B
- Output over voltage, short circuit, and over current protection
- 100% Hi-pot, ATE, and burn-in tested
- Re-settable power shut down
- Approved by UL 60950, CSA C22.2 Level 3, TUV EN60950, NEMKO (CB Report)

Input Characteristics

Input Range: +/-10% of 115Vrms or 230Vrms, Manual selection
Frequency: 47~63Hz
Input Current: 7A (RMS) @115V AC, 3.5A (RMS) @230V AC
Inrush Current: 80A max cold start, 100A warm measured at 264rms/50Hz

Specification

- **Temperature Range:** Operating 0° C ~ +25° C on full load; De-rate 2W/C from +50° C to +25° C; storage & shipping -20° C ~ +65° C
- **Humidity:** 90% on operating and 95% on storage
- **Dielectric Withstand:** Input to frame ground 1800V AC for 1 second
- **Efficiency:** 70% at minimum measured at nominal AC main voltage and frequency with maximum load on all output
- **Rise Time:** Less than 20ms on all output
- **Hold-up Time:** 17ms minimum at nominal input voltage
- **Power Good Signal:** Power on delay time 100 ms to 500 ms, off delay 1ms minimum (TTL and CMOS compatible)
- **Leakage Current:** Not exceed 3.5mA
- **MTBF:** 100,000 hours on maximum load at +25° C degree
- **Dimension (WxHxL):** 150x86x140mm/6"x3.4"x5.5" inches

Output Characteristics

Output Voltage	Minimum Load	Maximum Load	Load Reg.	Line Reg.	Ripple & Noise
+3.3V	0.5A	6/20A	± 5%	± 1%	50mV P-P
+5V	1.0A	20/10.8A	± 5%	± 1%	50mV P-P
+12V1	1.0A	8A	± 5%	± 1%	120mV P-P
+12V2	1.0A	14A	± 5%	± 1%	120mV P-P
-12V	0.0A	0.8A	± 10%	± 2%	120mV P-P
+5Vsb	0.0A	2.0 A	± 5%	± 1%	50mV P-P

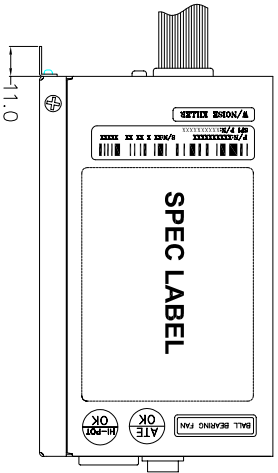
*+5V and +3.3V total output not exceed 120W
 *When +3.3V is load on 20A, the +5V maximum load is 10.8A
 *When +3.3V is load on 6A, the +5V maximum load is 20A
 *+3.3V, +5V, +12V1, and +12V2 total output not exceed 280W

Sparkle Power Inc.
Main Office
 1000 Rock Avenue
 San Jose, CA 95131
 TEL: 408-519-8888
 FAX: 408-519-9999
 E-MAIL: info@sparklepower.com

Sparkle Power Inc.
Los Angeles Office
 17071 Green Drive
 City of Industry, CA 91745
 TEL: 626-839-7180
 FAX: 626-839-3395

Sparkle Power Inc.
Colorado Office
 1316 Indian Paintbrush Lane
 Longmont, CO 80503
 TEL: 303-776-3281
 FAX: 303-776-7645

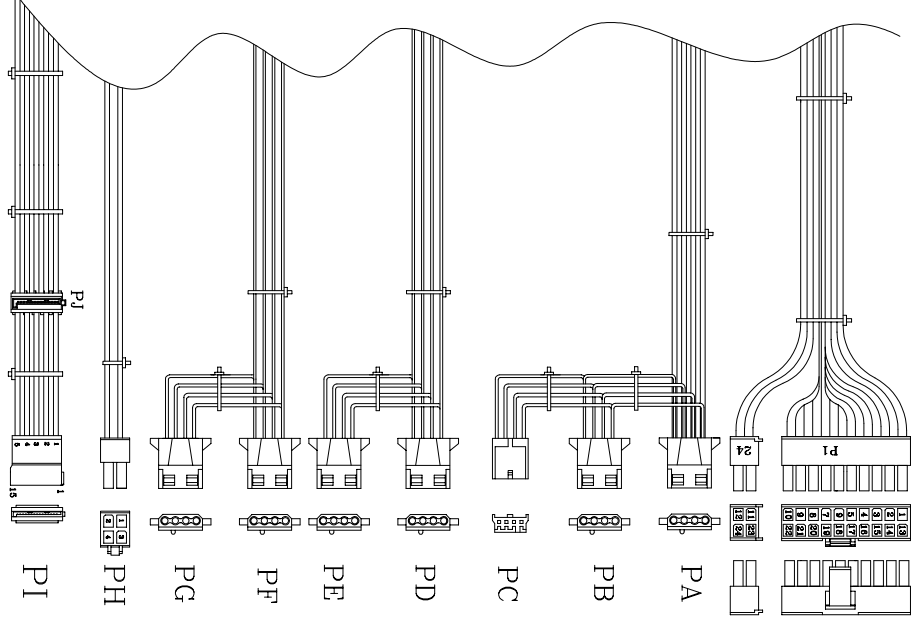
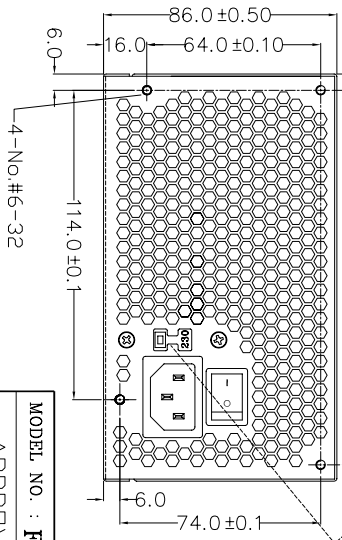
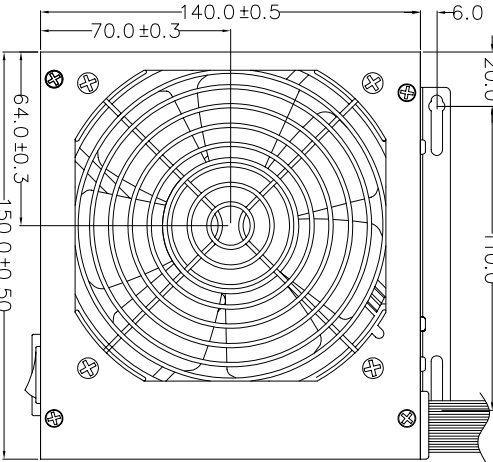
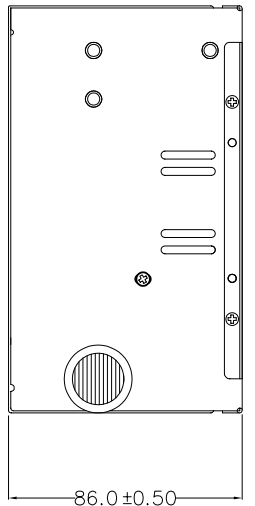
REF. ID	PIN NO.	SIGNAL	WIRE COLOR	GAUGE	CONNECTOR TYPE	CABLE LENGTH
P1	1	+3.3VDC	ORANGE	18	MT	500±30mm
	2	+5VDC	ORANGE	18	MT	500±30mm
	3	+5VDC	RED	18	MT	500±30mm
	4	+5VDC	RED	18	MT	500±30mm
	5	COM	BLACK	18	MT	500±30mm
	6	+5VDC	RED	18	MT	500±30mm
	7	COM	BLACK	18	MT	500±30mm
	8	PE-OK	GRAY	24	MT	500±30mm
	9	PE-OK	GRAY	24	MT	500±30mm
	10	PE-OK	GRAY	24	MT	500±30mm
	11	+12V VI	YELLOW	18	MT	500±30mm
	12	+12V VI	YELLOW	18	MT	500±30mm
	13	+3.3VDC	ORANGE	18	MT	500±30mm
	14	PE-OK	GRAY	24	MT	500±30mm
	15	PE-OK	GRAY	24	MT	500±30mm
	16	PE-OK	GRAY	24	MT	500±30mm
	17	PE-OK	GRAY	24	MT	500±30mm
	18	COM	BLACK	18	MT	500±30mm
	19	COM	BLACK	18	MT	500±30mm
	20	+5VDC	RED	18	MT	500±30mm
	21	+5VDC	RED	18	MT	500±30mm
	22	+5VDC	RED	18	MT	500±30mm
	23	+5VDC	RED	18	MT	500±30mm
	24	COM	BLACK	18	MT	500±30mm
PA	1	+12V VI	YELLOW	18	AMP	1-460424-0-430±30mm
	2	COM	BLACK	18	AMP	1-460424-0-430±30mm
	3	COM	BLACK	18	AMP	1-460424-0-430±30mm
	4	+5V	RED	18	AMP	1-460424-0-430±30mm
PB	1	+12V VI	YELLOW	18	AMP	1-460424-0-200±10mm
	2	COM	BLACK	18	AMP	1-460424-0-200±10mm
PC	1	+12V VI	YELLOW	22	AMP	1-460424-0-200±10mm
	2	COM	BLACK	22	AMP	1-460424-0-200±10mm
PD	1	+12V VI	YELLOW	18	AMP	1-460424-0-430±30mm
	2	COM	BLACK	18	AMP	1-460424-0-430±30mm
PE	1	+12V VI	YELLOW	18	AMP	1-460424-0-200±10mm
	2	COM	BLACK	18	AMP	1-460424-0-200±10mm
PF	1	+12V VI	YELLOW	18	AMP	1-460424-0-430±30mm
	2	COM	BLACK	18	AMP	1-460424-0-430±30mm
PG	1	+5V	RED	18	AMP	1-460424-0-200±10mm
	2	COM	BLACK	18	AMP	1-460424-0-200±10mm
PH	1	+12V VI	YELLOW	18	AMP	1-460424-0-200±10mm
	2	+12V VI	YELLOW	18	AMP	1-460424-0-200±10mm
	3	+12V VI	YELLOW	18	AMP	1-460424-0-200±10mm
PI	1	+12V VI	YELLOW	18	AMP	1-460424-0-200±10mm
	2	COM	BLACK	18	AMP	1-460424-0-200±10mm
	3	+3.3VDC	ORANGE	18	AMP	1-460424-0-200±10mm
	4	COM	BLACK	18	AMP	1-460424-0-200±10mm
PJ	1	+12V VI	YELLOW	18	AMP	1-460424-0-200±10mm
	2	COM	BLACK	18	AMP	1-460424-0-200±10mm
	3	+3.3VDC	ORANGE	18	AMP	1-460424-0-200±10mm
	4	COM	BLACK	18	AMP	1-460424-0-200±10mm



NOTE:
1. ALL THE LENGTH OF OUTPUT WIRES EXCLUDE HOUSING.

3 客户要求變更客戶編號

UNIT:mm



MODEL NO. : FSP300-60THN(S032) TITLE: ASSY

APPROVE PE DRAWN DATE

INTERIOR COUNTERSIGN: JAN.10.2006

MECHANICAL DRAWING(外觀/機機圖)表單編號7000P-0111

FSP P/N.:9PA3007814
SPI P/N.:FSP300THN-B204

SHEET: 1 OF 1 RRV:04